



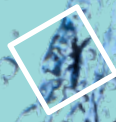
Quench 980-12/ 985-12

High-Capacity Water and Ice Dispenser

- Room temperature water
- Produces up to 425 lbs of chewable compressed nugget ice in 24 hours
- Stores up to 12 lbs of ice
- State-of-the-art filtration technology
- Sanitary touchless dispensing
- Antimicrobial surface protection



water up





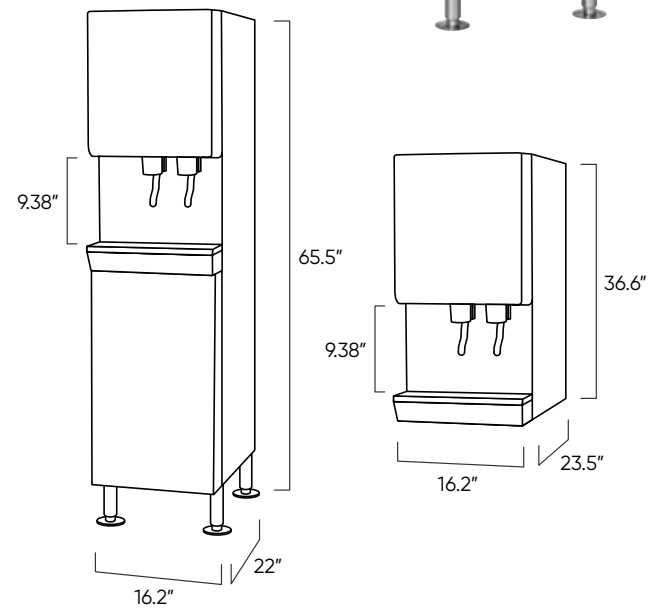
Quench 980-12/985-12

Take your ice up a notch with the Quench 980-12! This rugged water and ice dispenser produces up to 425 lbs. of chewable nugget ice in one day and stores up to 12 pounds. The Quench 980-12 is ideal for workplaces that require a large volume of ice – cafeterias, gyms, warehouses, and urgent care clinics. The Quench 985-12 offers the same great features as a space-saving countertop dispenser.



High-Capacity Water and Ice Dispenser

- Chewable Chewblet® ice maker and room temperature water dispenser
- Total ice-making capability – up to 425 pounds per day
- Stores up to 12 lbs of ice
- Advanced carbon or reverse osmosis filtration
- Antimicrobial surface protection
- Large dispensing area with lever dispensing
- Available with SensorSAFE infrared touchless dispensing technology



Specifications

Quench 980-12 (Freestanding)

Dimensions	65.5" h x 16.2" w x 22" d Height includes optional 4.1" legs
Dispensing Area	9.38"
Weight	224 lbs
Ice Output	Up to 425 lbs/24 hr
Ice Storage Capacity	12 lbs
Recommended Water Pressure	10-70 psi
Rated Voltage/Frequency	115v/60Hz @ 13 amps
Power Consumption	5.7 kW/100 lbs of ice
Drain Requirement	Needs to be installed within 10 feet of a drain
Clearance Needed	6" top, 6" right side
Model Number	980-12

Quench 985-12 (Countertop)

Dimensions	36.6" h x 16.2" w x 23.5" d Height includes optional 4.1" legs
Dispensing Area	9.38"
Weight	144 lbs
Ice Output	Up to 425 lbs/24 hr
Ice Storage Capacity	12 lbs
Recommended Water Pressure	10-70 psi
Rated Voltage/Frequency	115v/60Hz @ 13 amps
Power Consumption	5.7 kW/100 lbs of ice
Drain Requirement	Needs to be installed within 10 feet of a drain
Clearance Needed	6" top, 6" right side
Model Number	985-12

Quench products are certified by independent authorized 3rd party laboratories in accordance of appropriate industry standards. To find out more about which certifications your product may have, please contact us.